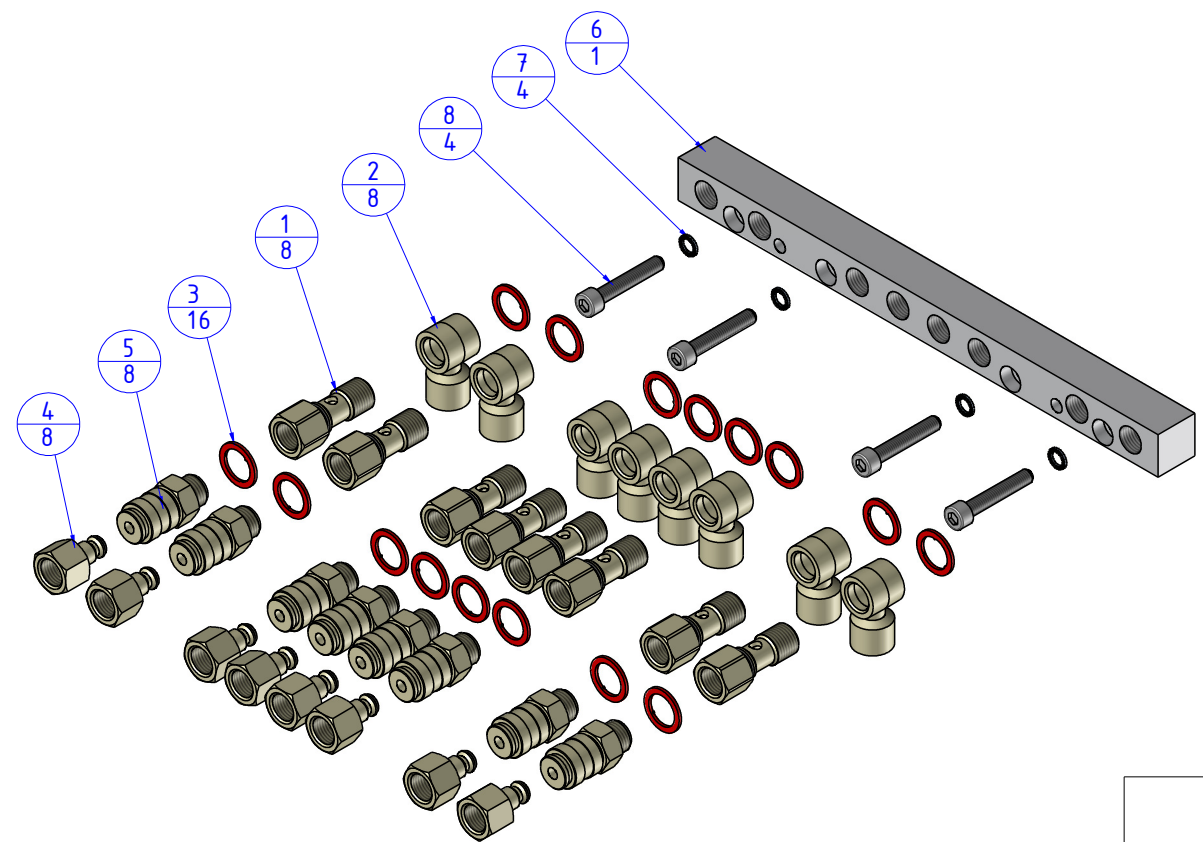
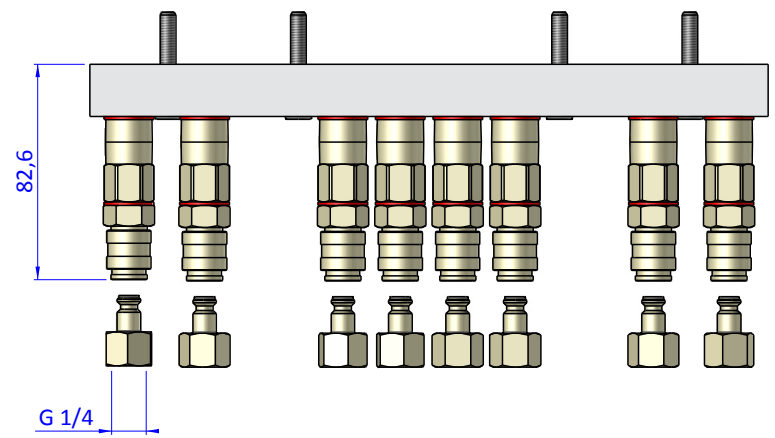
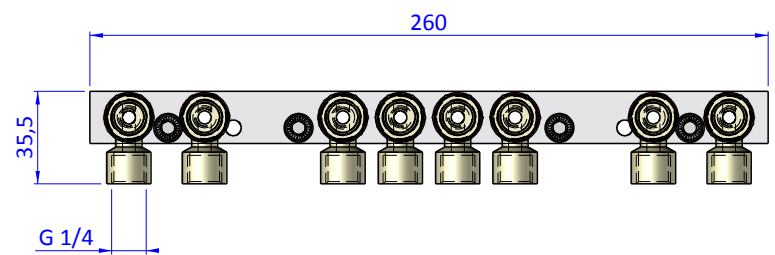



THE PROPERTY OF THE DRAWING IS ESTABLISHED BY LAW. IT IS FORBIDDEN TO PRODUCE OR SHOW IT TO THIRD PARTY, WITHOUT A WRITTEN AGREEMENT.

Item	Name	Qty.
1	CA.01.08.006	8
2	CA.01.08.007	8
3	CA.08.09.14	16
4	CA.12.06.006	8
5	CA.12.06.007	8
6	LAL.3.8	1
7	R.6.SCH	4
8	V.TCE6x35	4



Format A3
UNI 936-76

 FPS FPSERVICES AUTOMATION		DESIGNED FROM		REVIEW
		FPS Automation		A
GENERAL TOLERANCE		DATE	WEIGHT	
UNI - ISO 2768		25/07/2019	1,503kg	
CLASSE F		CODE		
CALAL.3.8		CA.LAL.3.8		